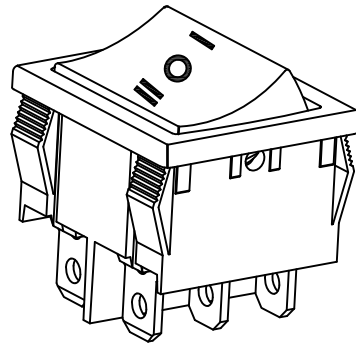
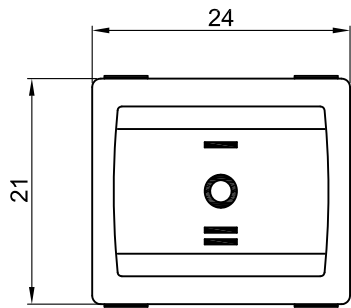




MR-4



Rating: 10A 125V AC,6A 250V AC (UL CUL)c us

6A 250V AC (VDE CQC CB)

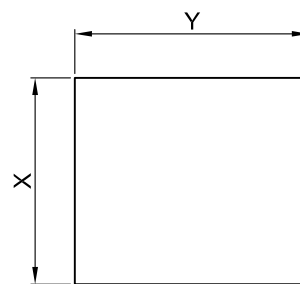
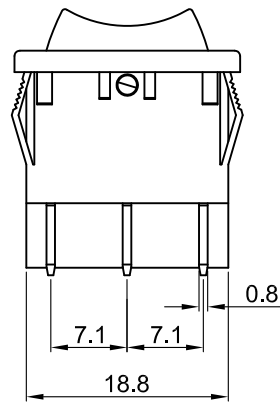
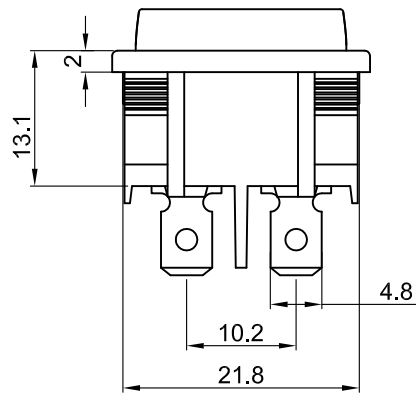
Contact Resistance: 50mΩ Max

Insulation Resistance: DC 500V 100MΩ Min

Dielectric Strength: AC1500V 1 minute

Electrical life: 10,000 cycles

Operating Temperature: 0°C~85°C



CUT-OUT

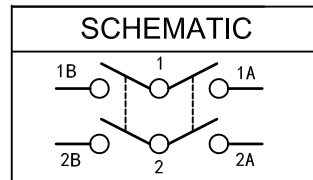
	X	Y
0.75~1.25	19.2-0.1	21.8~21.9
1.25~2.00	19.4-0.1	21.8~21.9
2.00~3.00	19.8-0.1	21.8~21.9

MATERIAL:

Body:Nylon66,UL rated:94V-2 min

Actuator:Nylon66,UL rated:94V-2 min

Terminal:Brass,silver or tin plated



X	0	1	2	3	4	5	6	7	8	9
Marking	None		ON OFF					Front/前进 Back/后退	Front Back	开 关

				公差 TOLERANCES		.X± 0.3 .XX± 0.15		角度 ± 1°		单位 DIMENSION UNIT mm.	
				版本 VERSION	A0	比例尺 SCALE	NONE	日期 DATE	2019.07.15	品名 TITLE	图号 DRAWING NO
				核准 APPROVED BY	王龙	核对 CHECKED BY	Z. H. B.	绘图 DRAWN BY	Z. H. B.	MR-4-230-C6N-BB	MR-4-230-C6N-BB-A1
版本 VER.	变更说明 CHANGE DESCRIPTION	日期 DATE	ECN NO.								