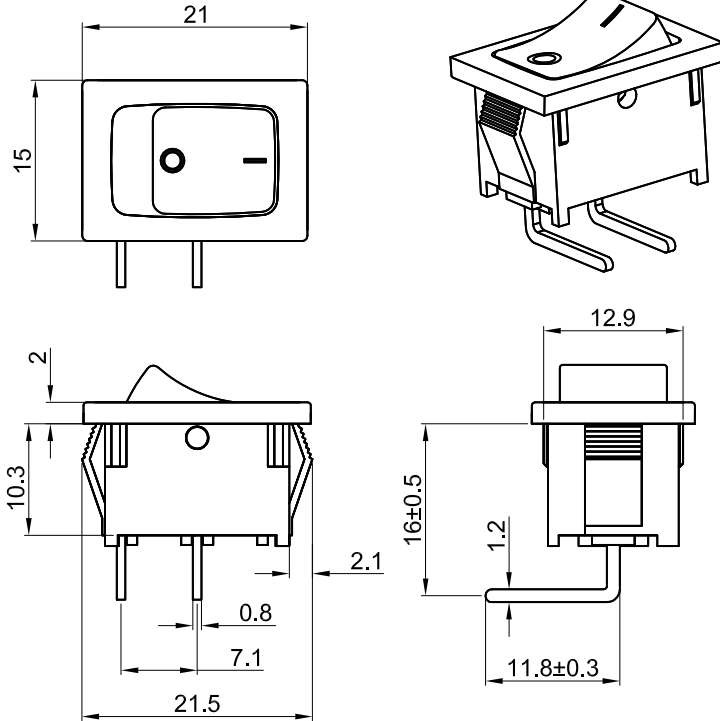




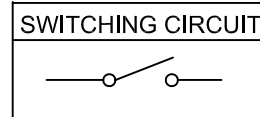
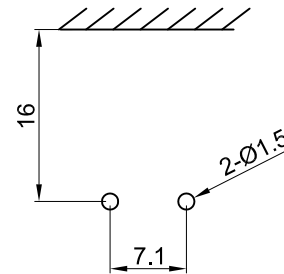
MR-1



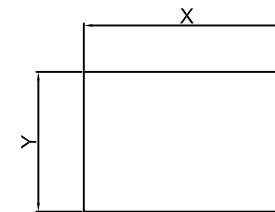
Rating: 10A 125V AC (UL CUL) c us
 6A 250V AC (CQC ENEC VDE)

Contact Resistance: 50mΩ Max
 Insulation Resistance: DC 500V 100MΩ Min
 Dielectric Strength: AC1500V 1 minute
 Electrical life: 10,000 cycles
 Operating Temperature: 0°C~85°C

CUT-OUT



CUT-OUT



	X	Y
0.75~1.25	19.2-0.1	13.0+0.1
1.25~2.00	19.4-0.1	13.0+0.1
2.00~3.00	19.8-0.1	13.0+0.1

MATERIAL:

Body:Nylon66,UL rated:94V-2 min
 Actuator:Nylon66,UL rated:94V-2 min
 Terminal:Brass,silver or tin plated

0	1	2	3	4	5	7	8	9	A	B	C	D	E	G	H	J	L
None		ON OFF				ON/开 OFF/关											

				公差 TOLERANCES		.X±0.3		.XX±0.15		角度 ANGLE ±1°		单位 DIMENSION UNIT mm.					
				版本 VERSION	A1	比例尺 SCALE	NONE	日期 DATE	2020.07.17	品名 TITLE		MR-1-114-C5N-BB		图号 DRAWING NO		MR-1-114-C5N-BB_A1	
A1	重新整理后发行			2014.07.17	N/A	核准	核对	日期	2020.07.17	绘图		DRAWN BY					
版本 VER.	变更说明 CHANGE DESCRIPTION			日期 DATE	ECN NO.	APPROVED BY	CHECKED BY	Z.H.B.	DRAWN BY								