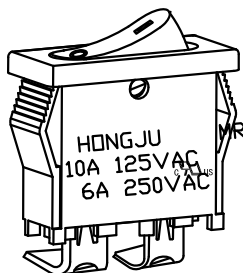
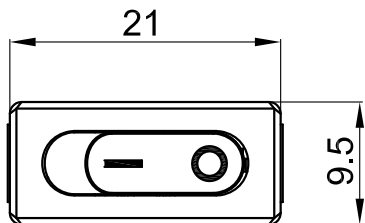




MR-2



Rating: 10A 125V AC (UL CUL) US
6A 250V AC (UL CUL VDE CB)

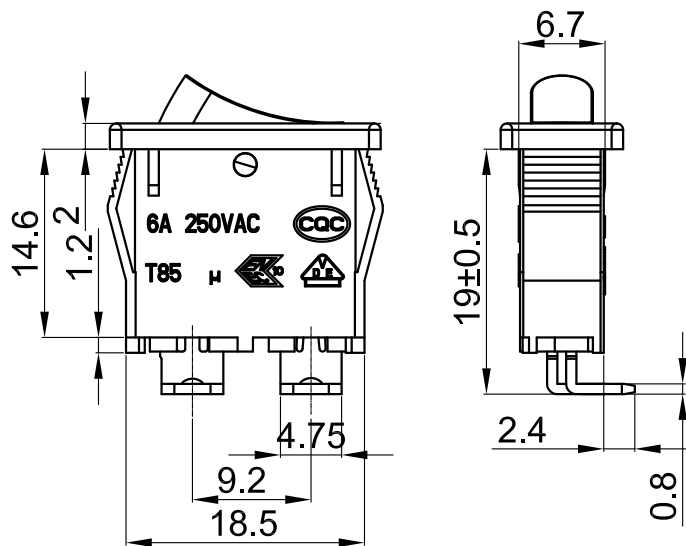
Contact Resistance: 50mΩ Max

Insulation Resistance: DC 500V 100MΩ Min

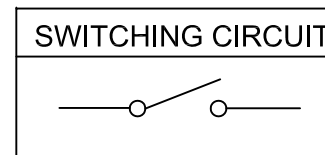
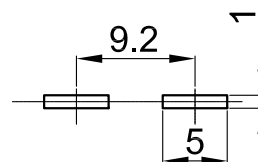
Dielectric Strength: AC1500V 1 minute

Electrical life: 10,000 cycles

Operating Temperature: 0°C ~ 85°C



CUT-OUT



MATERIAL:

Body:Nylon66,UL rated:94V-2 min

Actuator:Nylon66,UL rated:94V-2 min

Terminal:Brass,silver or tin plated

Marking	X	0	1	5	9	A	C
	None						

		公差 TOLERANCES		.X± 0.3 .XX± 0.15		角度 ANGLE ± 1°		单位 DIMENSION UNIT mm.	
		版本 VERSION	A1	比例尺 SCALE	NONE	日期 DATE	2020.09.10	品名 TITLE	图号 DRAWING NO
A1	重新整理后发行	2020.07.15	N/A	核准		核对		MR2-115-C5N-AA	MR2-115-C5N-AA_A1
版本 VER.	变更说明 CHANGE DESCRIPTION	日期 DATE	ECN NO.	APPROVED BY		CHECKED BY	Z.H.B.	DRAWN BY	