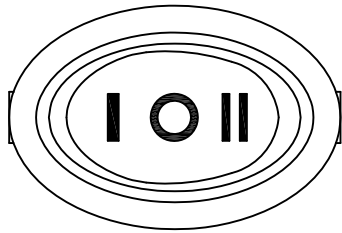


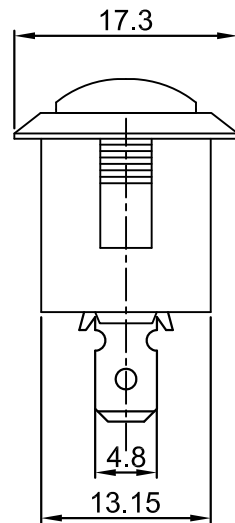
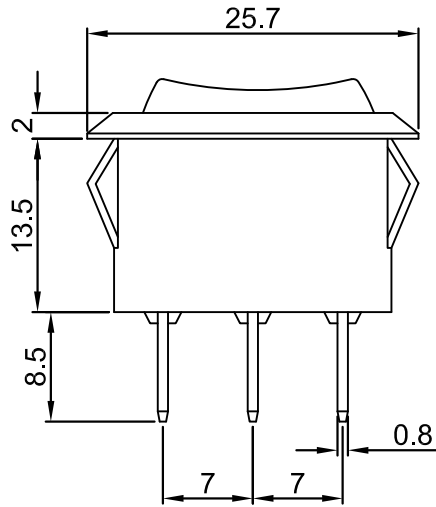


MR-2A

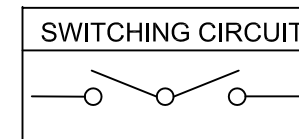
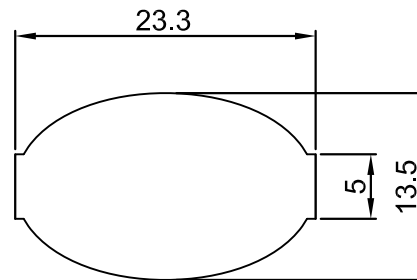


Rating: 10A 125V AC (UL CUL)
6A 250V AC (UL CUL VDE CB)

Contact Resistance: 50mΩ Max
Insulation Resistance: DC 500V 100MΩ Min
Dielectric Strength: AC1500V 1 minute
Electrical life: 10,000 cycles
Operating Temperature: 0°C~85°C



CUT-OUT



MATERIAL:

Body:Nylon66,UL rated:94V-2 min
Actuator:Nylon66,UL rated:94V-2 min
Terminal:Brass,silver or tin plated

X	0	1	2	3	4	5	6	7	8	9	A	B
Marking	None	•	1 2 3		—	—		0 1	가열 보온	○ —	— ●	가열 보온

				公差 TOLEANCES		.X± 0.3	.XX± 0.15	角度 ANGLE ± 1°		单位 DIMENSION UNIT mm.		
				版本 VERSION	A1	比例尺 SCALE	NONE	日期 DATE	2019.07.18	品名 TITLE		图号 DRAWING NO
A1	重新整理后发行		2019.07.18	N/A	核准	核对	Z.H.B.	绘图		MR2A-130-C6N-BB		MR2A-130-C6N-BB_A1
版本 VER.	变更说明 CHANGE DESCRIPTION		日期 DATE	ECN NO.	APPROVED BY	CHECKED BY	Z.H.B.	DRAWN BY				