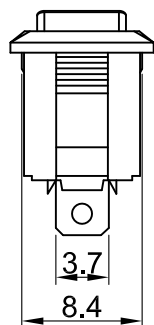
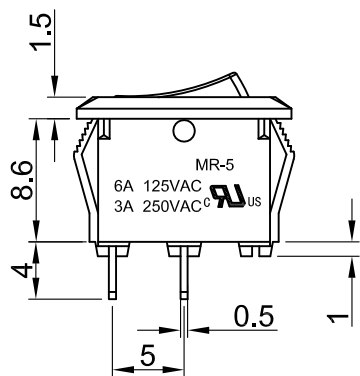
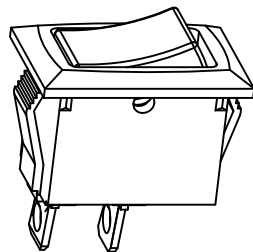
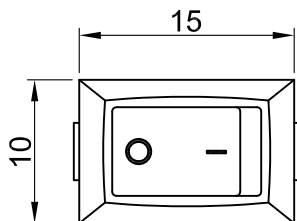




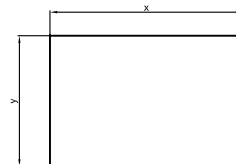
MR-5



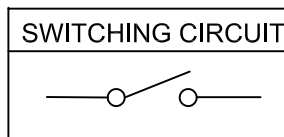
Rating: 6A 125V AC (UL CUL)
 3A 250V AC (UL CUL VDE CB)

Contact Resistance: 50mΩ Max
 Insulation Resistance: DC 500V 100MΩ Min
 Dielectric Strength: AC1500V 1 minute
 Electrical life: 10,000 cycles
 Operating Temperature: 0°C ~100°C

CUT-OUT



| | X | Y |
|-----------|----------|---------|
| 0.75~1.25 | 13.6-0.1 | 9.2±0.1 |
| 1.25~2.00 | 13.7-0.1 | 9.2±0.1 |
| 2.00~3.00 | 13.8-0.1 | 9.2±0.1 |



MATERIAL:

Body:Nylon66,UL rated:94V-2 min
 Actuator:Nylon66,UL rated:94V-2 min
 Terminal:Brass,silver or tin plated

| X | 0 | 1 | 3 | 4 | 5 | 6 |
|---------|------|---|---|---|---|---|
| Marking | None | | | | | |

| 公差 TOLERANCES | | .X± 0.3 .XX± 0.15 | | 角度 ANGLE ± 1° | | 单位 DIMENSION UNIT mm. | |
|-------------------------|---------|-------------------|--------|---------------|------------|-----------------------|--------------------|
| 版本 VERSION | A0 | 比例尺 SCALE | NONE | 日期 DATE | 2019.07.15 | 品名 TITLE | 图号 DRAWING NO |
| 核准 APPROVED BY | 王龙 | 核对 CHECKED BY | Z.H.B. | 绘图 DRAWN BY | 王立权 | MR-5-111-C5N-BB | MR-5-111-C5N-BB_A0 |
| 变更说明 CHANGE DESCRIPTION | 日期 DATE | ECN NO. | | | | | |