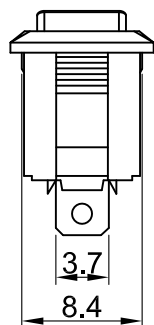
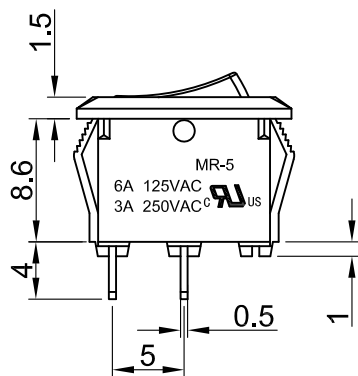
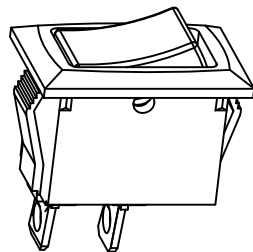
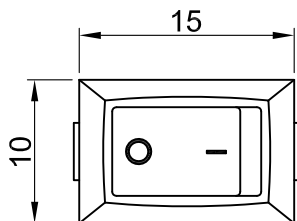




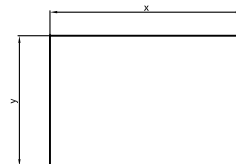
MR-5



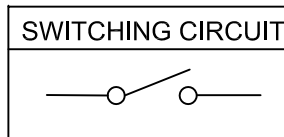
Rating: 6A 125V AC (UL CUL)
 3A 250V AC (UL CUL VDE CB)

Contact Resistance: 50mΩ Max
 Insulation Resistance: DC 500V 100MΩ Min
 Dielectric Strength: AC1500V 1 minute
 Electrical life: 10,000 cycles
 Operating Temperature: 0°C ~100°C

CUT-OUT



	X	Y
0.75~1.25	13.6-0.1	9.2±0.1
1.25~2.00	13.7-0.1	9.2±0.1
2.00~3.00	13.8-0.1	9.2±0.1



MATERIAL:

Body:Nylon66,UL rated:94V-2 min
 Actuator:Nylon66,UL rated:94V-2 min
 Terminal:Brass,silver or tin plated

X	0	1	3	4	5	6
Marking	None					

公差 TOLERANCES		.X± 0.3 .XX± 0.15		角度 ANGLE ± 1°		单位 DIMENSION UNIT mm.	
版本 VERSION	A0	比例尺 SCALE	NONE	日期 DATE	2019.07.15	品名 TITLE	图号 DRAWING NO
核准 APPROVED BY	王龙	核对 CHECKED BY	Z.H.B.	绘图 DRAWN BY	王立权	MR-5-111-C5N-WW	MR-5-111-C5N-WW_A0
版本 VER.	变更说明 CHANGE DESCRIPTION	日期 DATE	ECN NO.	APPROVED BY	王龙	CHECKED BY	Z.H.B.