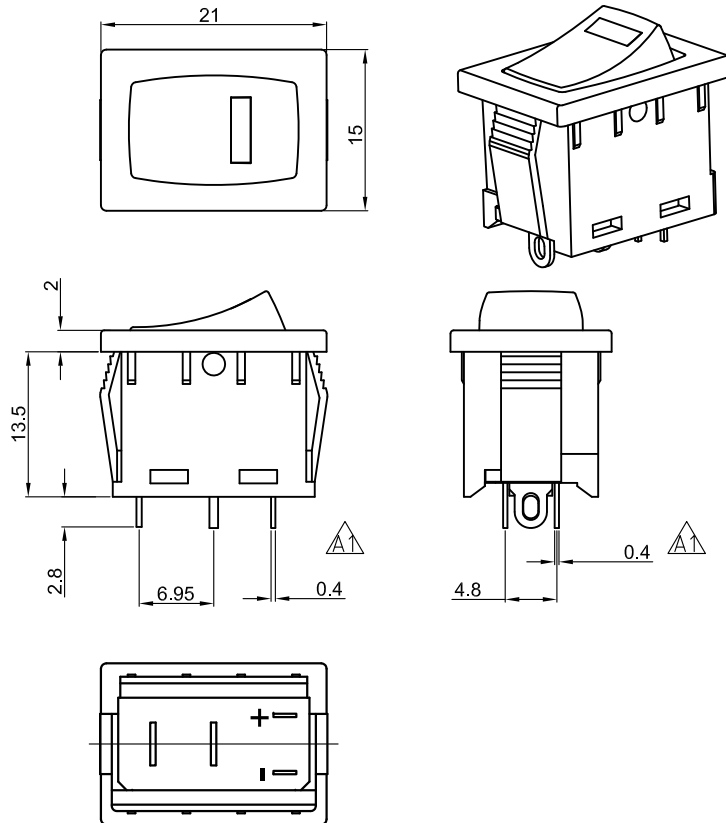




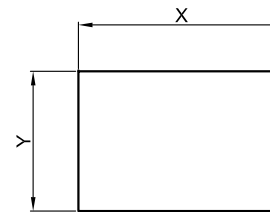
MR-1

Rating: 10A 125V AC (UL CUL)
 6A 250V AC (UL CUL VDE CB)

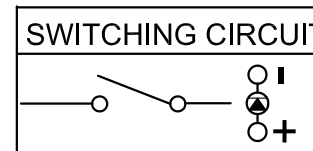
Contact Resistance: 50mΩ Max
 Insulation Resistance: DC 500V 100MΩ Min
 Dielectric Strength: AC1500V 1 minute
 Dielectrical life: 10,000 cycles
 Operating Temperature: 0°C ~85°C



CUT-OUT



| | X | Y |
|-----------|----------|----------|
| 0.75~1.25 | 19.2-0.1 | 13.0+0.1 |
| 1.25~2.00 | 19.4-0.1 | 13.0+0.1 |
| 2.00~3.00 | 19.8-0.1 | 13.0+0.1 |



MATERIAL:
 Body:Nylon66,UL rated:94V-2 min
 Actuator:Nylon66,UL rated:94V-2 min
 Terminal:Brass,silver or tin plated

| 0 | 1 | 2 | 3 | 4 | 5 | 7 | 8 | 9 | A | B | C | D | E | G | H | J | L |
|------|---|-----------|---|---|---|---------------|---|-----|---|---|---|---|---|---|---|---|---|
| None | • | ON OFF | ≡ | ⊖ | ⊕ | ON/开 OFF/关 | ✳ | 1/0 | ☀ | ⊕ | ⊖ | ⊕ | ⊖ | ⊕ | ⊖ | ⊕ | ⊖ |

| | | | | 公差 TOLERANCES | | 角度 ANGLE | | | | 单位 DIMENSION UNIT | | | |
|---------|-------------------------|---------|---------|---------------|------------|-----------|--------|---------|------------|-------------------|--|---------------------|--|
| | | | | .X± 0.3 | .XX± 0.15 | ± 1° | | | | mm. | | | |
| | | | | 版本 VERSION | A1 | 比例尺 SCALE | NONE | 日期 DATE | 2020.06.11 | 品名 TITLE | | 图号 DRAWING NO | |
| | | | | 核准 | | 核对 | Z.H.B. | 绘图 | 王立权 | MR-1-112-F0E-BBR | | MR-1-112-F0E-BBR_A1 | |
| 版本 VER. | 变更说明 CHANGE DESCRIPTION | 日期 DATE | ECN NO. | APPROVED BY | CHECKED BY | DRAWN BY | | | | | | | |