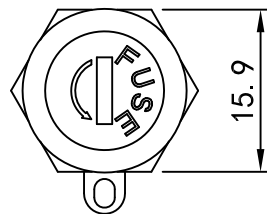
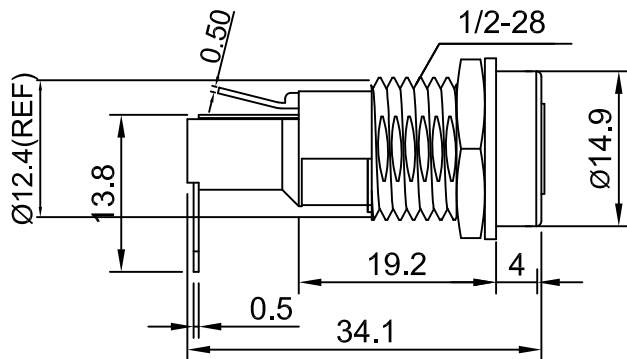
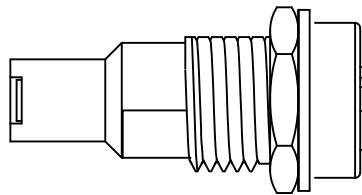




FH1



Fuse holder for overload protection

Screw-in mounting

Rating: 10A 250VAC (UL,CUL)

6.3A 250VAC (CQC)

Fuse:Ø5.0x20mm

Cap:Bayonet type

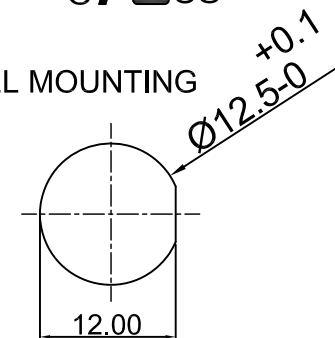
Panel thickness:4.5mm max

Operating Temperature:-10°C~+70°C



E240653

PANEL MOUNTING



MATERIAL:

Housing:PBT,UL rated 94V0 min

Bayonet:PBT,UL rated 94V0 min

Terminal:Brass,silver or tin plated

Nut:Kirsite,Ni plated

|         |                         |            |         | 公差 TOLERANCES |    | . X± 0.3 . XX± 0.15 |          | 角度       | ± 1°       | 单位 DIMENSION UNIT | mm.         |
|---------|-------------------------|------------|---------|---------------|----|---------------------|----------|----------|------------|-------------------|-------------|
| A2      | 重新整理发行                  | 2020.03.01 | N/A     | 版本            | A2 | 比例尺                 | NONE     | 日期       | 2020.03.01 | 品名                | 图号          |
| A1      | 重新整理发行                  | 2014.07.26 | N/A     | VERSION       |    | SCALE               |          | DATE     |            | TITLE             | DRAWING NO  |
| A0      | New Lssue               | 2009.02.26 | N/A     | 核准            |    | 核对                  | Z. H. B. | 绘图       |            | FH1-B-MW          | FH1-B-MW_A2 |
| 版本 VER. | 变更说明 CHANGE DESCRIPTION | 日期 DATE    | ECN NO. | APPROVED BY   |    | CHECKED BY          |          | DRAWN BY |            |                   |             |