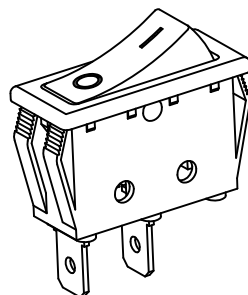
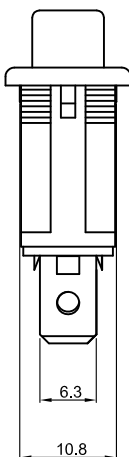
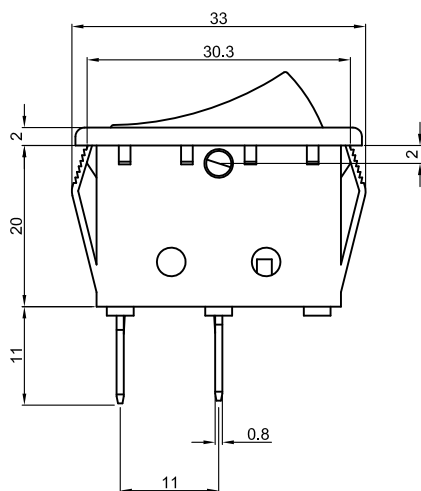
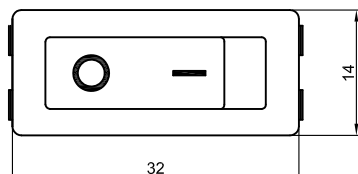




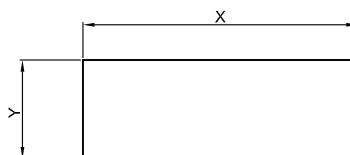
R-1



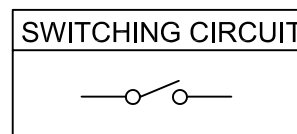
Rating: 16A 125V AC (UL CUL)
 16A 250V AC (UL CUL VDE ENEC CB CQC)
 Contact Resistance: 50mΩ (Max)
 Insulation Resistance: DC 500V 100MΩ (Min)
 Dielectric Strength: AC1500V 1 minute
 Electrical life: 10,000 cycles
 Operating Temperature: 0°C~85°C
 Safety Approval:



CUT-OUT



	X	Y
0.75~1.25	30.4+0.2	11.0+0.1
1.25~2.00	30.6+0.2	11.0+0.1
2.00~3.00	30.8+0.2	11.0+0.1



ON-OFF

MATERIAL:

Body:Nylon66,UL rated:94V-2 min
 Actuator:Nylon66,UL rated:94V-2 min
 Terminal:Brass with silver-plate

				公差 TOLERANCES		.X± 0.3	.XX± 0.15	角度 ANGLE ± 1°		单位 DIMENSION UNIT	mm.
				版本 VERSION	A1	比例尺 SCALE	NONE	日期 DATE	2020.07.02	品名 TITLE	图号 DRAWING NO
A1	重新整理发行	2014.07.02	N/A	核准		核对	Z.H.B.	绘图		R-1-110-C5N-AA	R-1-110-C5N-AA_A1
版本 VER.	变更说明 CHANGE DESCRIPTION	日期 DATE	ECN NO.	APPROVED BY		CHECKED BY		DRAWN BY			