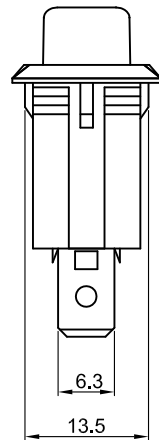
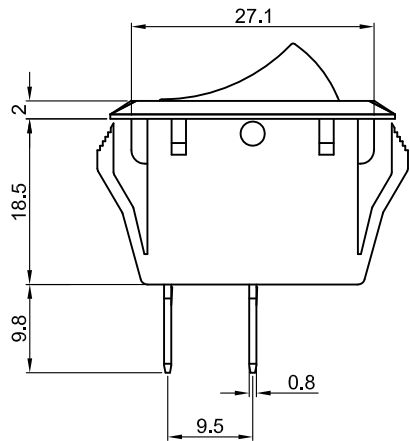
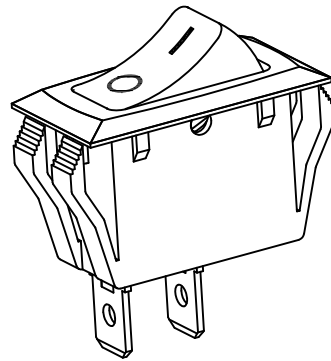
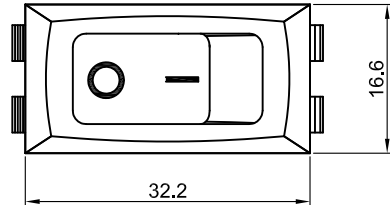


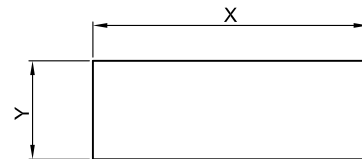


R-2

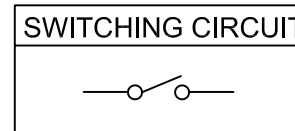


Rating: 16A 125V AC (UL CUL)
 16A 250V AC (UL CUL VDE ENEC CB CQC)
 6A 12V DC
 Contact Resistance: 50m Ω (Max)
 Insulation Resistance: DC 500V 100M Ω (Min)
 Dielectric Strength: AC1500V 1 minute
 Electrical life: 10,000 cycles
 Operating Temperature: 0°C~85°C
 Safety Approval:

CUT-OUT



	X	Y
0.75~1.25	28.6±0.1	13.8±0.1
1.25~2.00	28.8±0.1	13.8±0.1
2.00~3.00	29.2±0.1	13.8±0.1



ON-OFF

MATERIAL:

Body:Nylon66,UL rated:94V-2 min
 Actuator:Nylon66,UL rated:94V-2 min
 Terminal:Brass with silver-plate

X	0	1	2	3	4	5	6
Marking	None						

				公差 TOLERANCES		.X± 0.3 .XX± 0.15		角度 ANGLE ± 1°		单位 DIMENSION UNIT mm.	
				版本 VERSION	A0	比例尺 SCALE	NONE	日期 DATE	2019.11.02	品名 TITLE	图号 DRAWING NO
				核准	王龙	核对	Z.H.B.	绘图		R-2-110-C5N-BB	R-2-110-C5N-BB_A0
版本 VER.	变更说明 CHANGE DESCRIPTION	日期 DATE	ECN NO.	APPROVED BY		CHECKED BY		DRAWN BY			