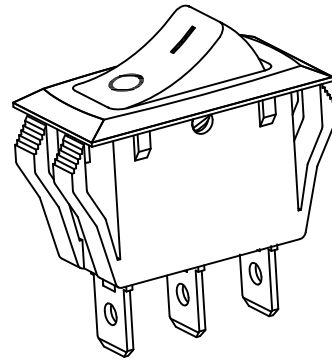
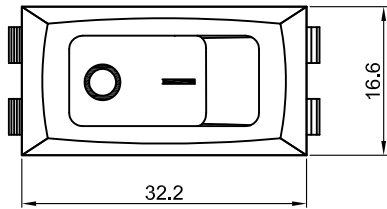




R-2

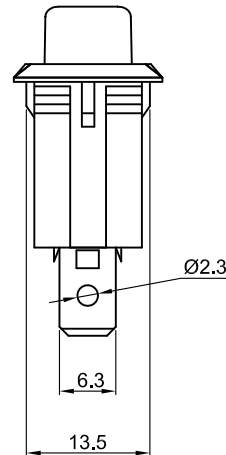
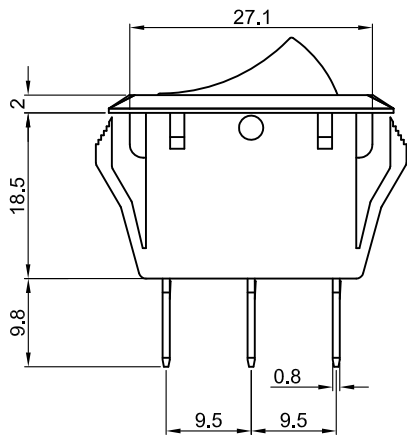


Rating: 16A 125V AC (UL CUL)
16A 250V AC (UL CUL VDE ENEC CB CQC)
6A 12V DC

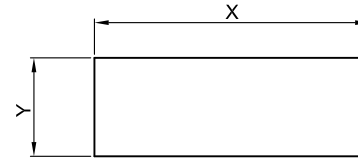
Contact Resistance: 50mΩ (Max)
Insulation Resistance: DC 500V 100MΩ (Min)
Dielectric Strength: AC1500V 1 minute
Electrical life: 10,000 cycles

Operating Temperature: 0°C~85°C

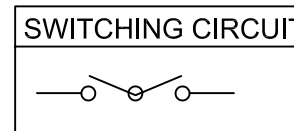
Safety Approval:



CUT-OUT



	X	Y
0.75~1.25	28.6±0.1	13.8±0.1
1.25~2.00	28.8±0.1	13.8±0.1
2.00~3.00	29.2±0.1	13.8±0.1



ON-ON

MATERIAL:

Body:Nylon66,UL rated:94V-2 min
Actuator:Nylon66,UL rated:94V-2 min
Terminal:Brass with silver-plate

				公差 TOLERANCES		.X± 0.3 .XX± 0.15		角度 ANGLE ± 1°		单位 DIMENSION UNIT mm.	
				版本 VERSION	A1	比例尺 SCALE	NONE	日期 DATE	2020.9.18	品名 TITLE	图号 DRAWING NO
A1	重新整理发行	2014.07.02	N/A	核准		核对	Z.H.B.	绘图		R-2-120-C5N-BB	R-2-120-C5N-BB_A1
版本 VER.	变更说明 CHANGE DESCRIPTION	日期 DATE	ECN NO.	APPROVED BY		CHECKED BY		DRAWN BY			