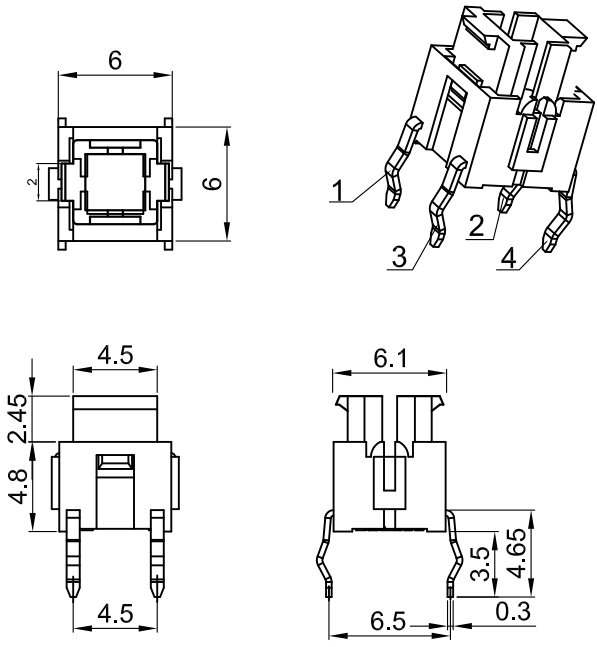


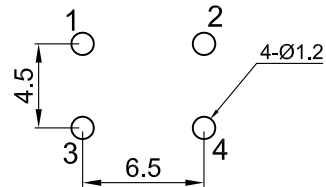


TS2

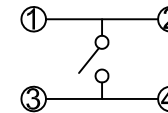


Specifications	
Circuit	:SPST
Current rating	:50mA
Voltage rating	:12VDC
Dielectric withstanding voltage	:250VAC for 1 minute
Contact resistance	:100mΩ Max. (Initial)
Insulation resistance	:100MΩ Min.
Operating force	:300±50gf
	:200±50gf
Total travel	:0.25mm±0.1mm
Operating life	:100,000 cycles Min
Solder specifications	:260° C for 5 seconds
Function	:Momentary
Operating temperature	:+10° C ~ +60° C

P.C.B. LAYOUT



CIRCUIT



**MATERIAL:**

Base Frame: Nylon46, UL rated:94 V-2 Min. ;  
 Actuator: PBT, UL rated:94 V-2 Min. ;  
 Terminal: Brass, Silver or Tin plated .

				公差 TOLERANCES		.X± 0.3		.XX± 0.15		角度 ANGLE ± 1°		单位	DIMENSION UNIT		mm.
A2	重新整理后发行	2019.10.16	N/A	版本	A2	比例尺	NONE	日期	2019.10.16			品名	TITLE		图号
A1	重新整理后发行	2014.07.17	N/A	核准		核对	Z.H.B.	绘图	王立权			TS2-00-00N-2	DRAWING NO		TS2-00-00N-2_A2
版本 VER.	变更说明	CHANGE DESCRIPTION	日期 DATE	ECN NO.	APPROVED BY	CHECKED BY		DRAWN BY							