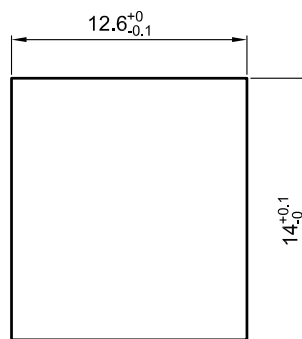
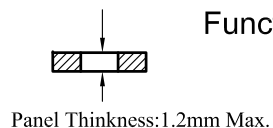
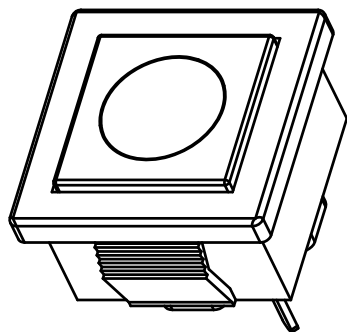
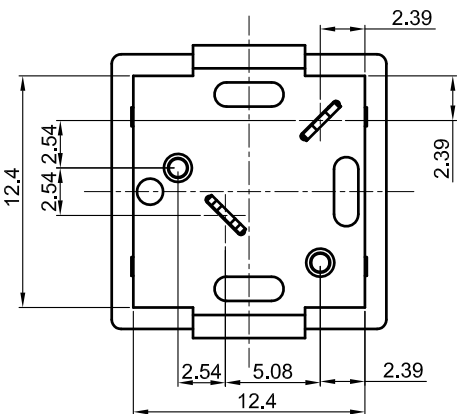
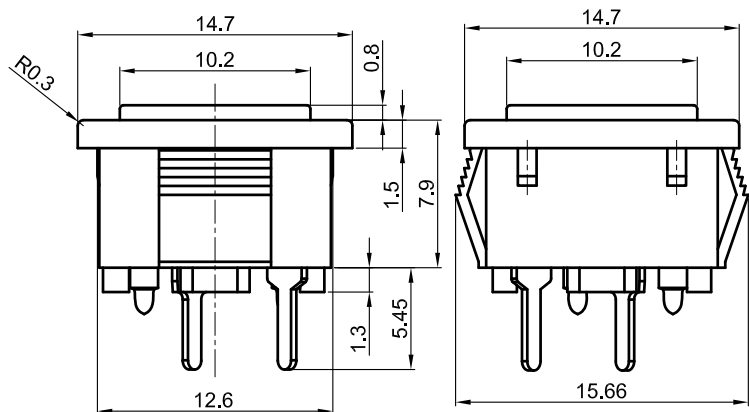
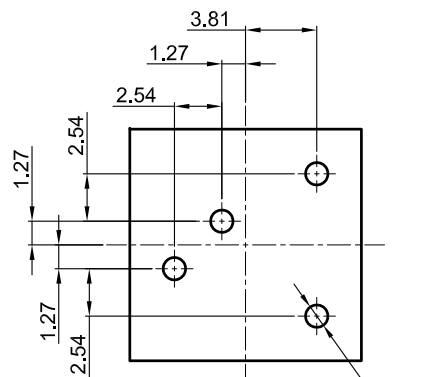




TS3



CUT-OUT



P.C.B. LAYOUT

W	White 白色
R	Red 红色
Y	Yellow 黄色
G	Green 绿色
B	Black 黑色
U	Blue 蓝色
A	Gray 灰色
O	Orange 橘色
Cap Color X 上盖颜色 X	

SPECIFICATIONS:

Circuit:SPST

Current:rating: 0.5A 30VDC;
0.25A 50V DC;

Contact resistance:50 m Ω Max.(Initial);

Insulation resistance:100 M Ω Min;

Insulation strength: 1000 VAC for 1 minute;

Operating force:400±100gf;
250±100gf;

Total travel:0.7±0.25mm;

Operating Life:10,000 cycles Min;

Machine Life:100,00 cycles Min;

Operating temperature:-25°C~+65°C;

Surroundings humidity:85%RH Max.;

Function:Momentary

MATERIAL:

Frame: PBT, UL rated:94 V-2 Min;

Cap: ABS;

Terminal: Brass, Silver or Tin plated .

Dome:SST,Gold plated with single side.

				公差 TOLERANCES		.X± 0.3 .XX± 0.15		角度 ANGLE ± 1°		单位 DIMENSION UNIT mm.	
				版本 VERSION	A1	比例尺 SCALE	1: 1	日期 DATE	2020.07.17	品名 TITLE	图号 DRAWING NO
				核准		核对	Z.H.B.	绘图		TS3-B-AN	TS3-B-AN_A1
版本 VER.	变更说明 CHANGE DESCRIPTION	日期 DATE	ECN NO.	APPROVED BY		CHECKED BY		DRAWN BY			