



东莞市宏聚电子五金制品有限公司

HONGJU(DONGGUAN)ELECTRONIC & METAL PRODUCTS CO.,LTD

S-03-11A-1

Rating: 15A 250V AC (UL CUL)
 10A 250V AC (TUV VDE CCC)

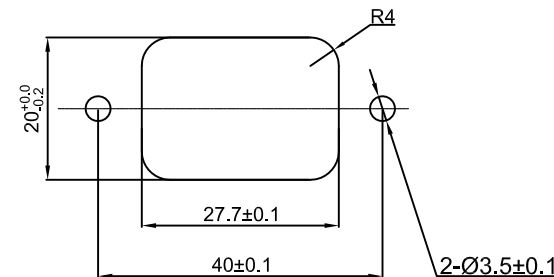
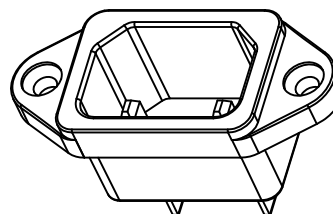
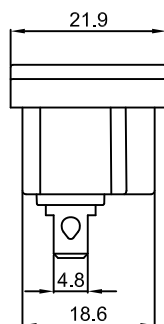
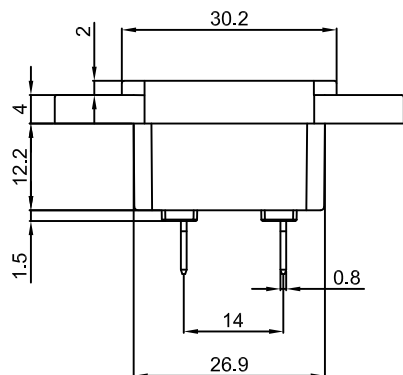
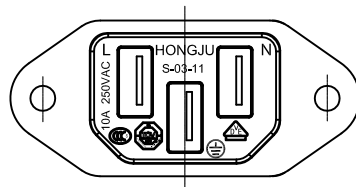
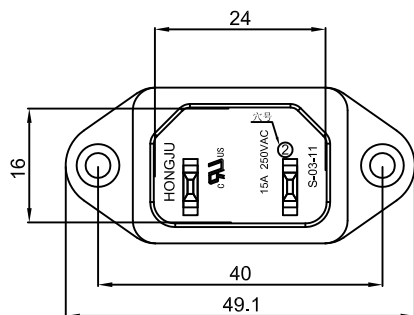
Insulation Resistance: DC 500V 100MΩ Min.

Dielectric Strength: AC2000V 1 minute

MATERIAL:

Body: PBT

Terminal: Brass, Silver or Tin plated



CUT-OUT

				公差 TOLERANCES		.X± 0.3	.XX± 0.15	角度 ANGLE ± 1°		单位 DIMENSION UNIT mm.	
				版本 VERSION	A1	比例尺 SCALE	NONE	日期 DATE	2019.07.11	品名 TITLE	图号 DRAWING NO
A1	重新整理发行	2019.07.11	N/A	核准		核对		绘图	Z. H. B.	S-03-11A-1	S-03-11A-1_A1
A0	New Issue	2008.07.08	N/A	APPROVED BY		CHECKED BY		DRAWN BY			
版本 VER.	变更说明 CHANGE DESCRIPTION	日期 DATE	ECN NO.	APPROVED BY		CHECKED BY		DRAWN BY			