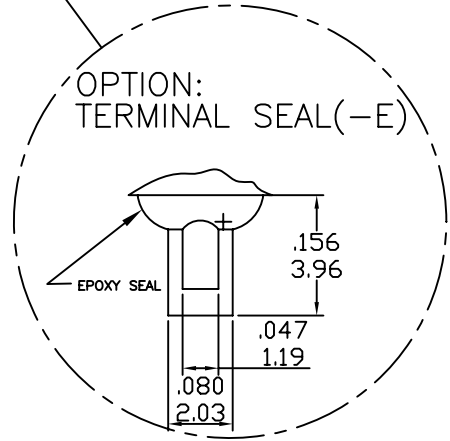
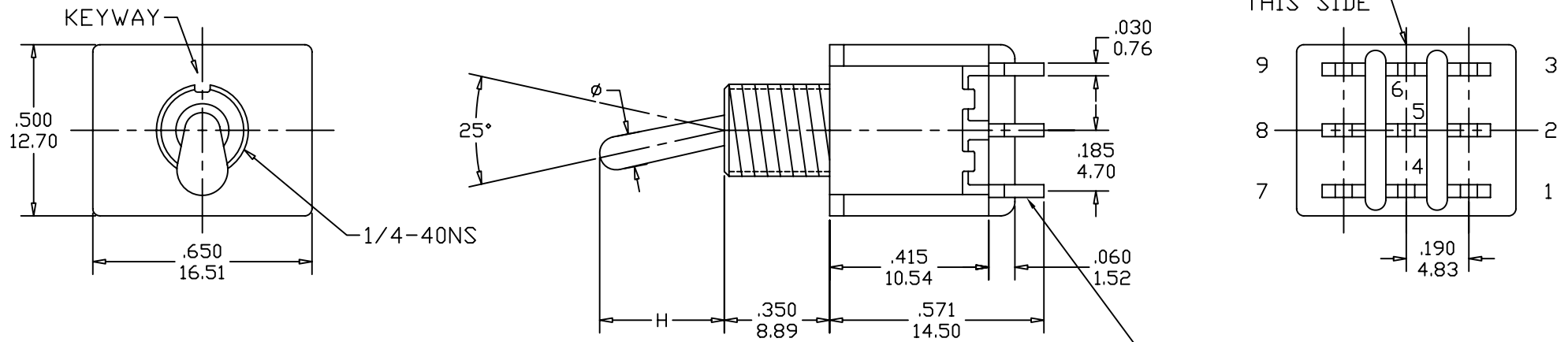
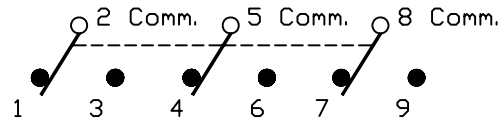


T8301-SEBQ



Actuator	H	φ
S	10.41	φ3.00
T	5.50	φ2.70

Schematic



Model No.	Switching Position		
8301	ON	NONE	ON
8303	ON	NONE	(ON)
8305	ON	OFF	ON
8307	(ON)	OFF	(ON)
8309	ON	OFF	(ON)
Term. Comm.	2-3,5-6 8-9	OPEN	2-1,5-4 8-7

				Nominal Tolerance		Part no. T8301-SEBQ		Check			
				Range	Tolerance	Dwg no.		Drawer			
				0 ~ 1	±0.10	Part Name.		Scale 2:1		Date 05.04.25	
1	A0	NEW		05.04.25	1 ~ 4	±0.20	T80-T/ 3PDT Miniature Toggle Switches		Unit m/m (inch)	Rev. 0	Edition A0
NO.	Edition	Modified Contents	Name	Date	4 ~ 16	±0.30					

HONGJU ELECTRONIC CO., LTD