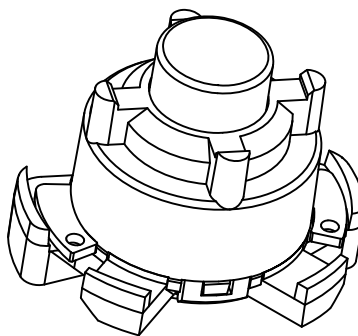
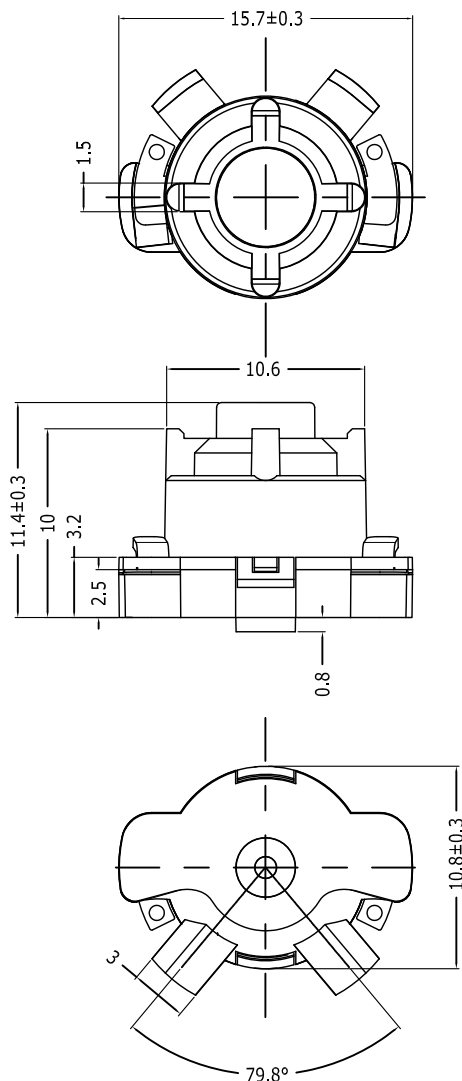


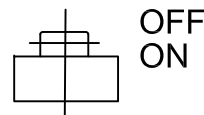


东莞市宏聚电子五金制品有限公司

HONGJU(DONGGUAN)ELECTRONIC & METAL PRODUCTS CO.,LTD



Rating: 1.0A 5V DC ;  
 Contact Resistance: 50mΩ Max. ;  
 Insulation Resistance:DC 500V 100MΩ Min. ;  
 Dielectric Strength:AC 1000V 1 minute  
 ON Travel:  $0.8 \pm 0.2$ mm  
 Operating Force: $550 \pm 150$ gf  
 Electrical Life:10,000 cycles  
 Operating Temperature: $0^\circ\text{C} \sim 85^\circ\text{C}$   
 Function: ON-OFF



MATERIAL:

Body: Nylon66,UL rated:94V-2 min  
 Actuator: Nylon66,UL rated:94V-2 min  
 Terminal: Brass with silver-plate

公差 TOLEANCES		.X± 0.3		.XX± 0.15		角度 ANGLE ± 1°		单位 DIMENSION UNIT mm.	
版本 VERSION	A0	比例尺 SCALE	NONE	日期 DATE	2020.11.24	品名 TITLE	图号 DRAWING NO	HB01-BB	
核准 APPROVED BY		核对 CHECKED BY	Z.H.B.	绘图 DRAWN BY	HXG	HB01-BB		HB01-BB_A0	
版本 VER	CHANGE DESCRIPTION	日期 DATE	ECN NO.						